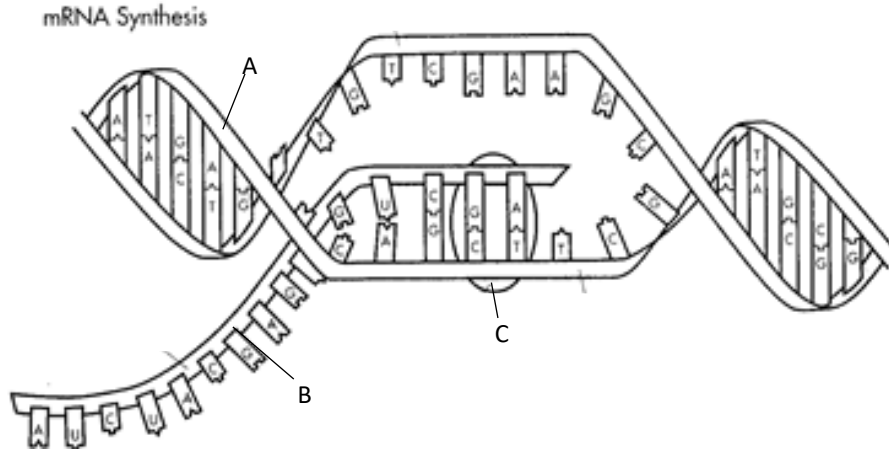


Name _____

Protein Synthesis: Identify the structures involved.



Name of process:

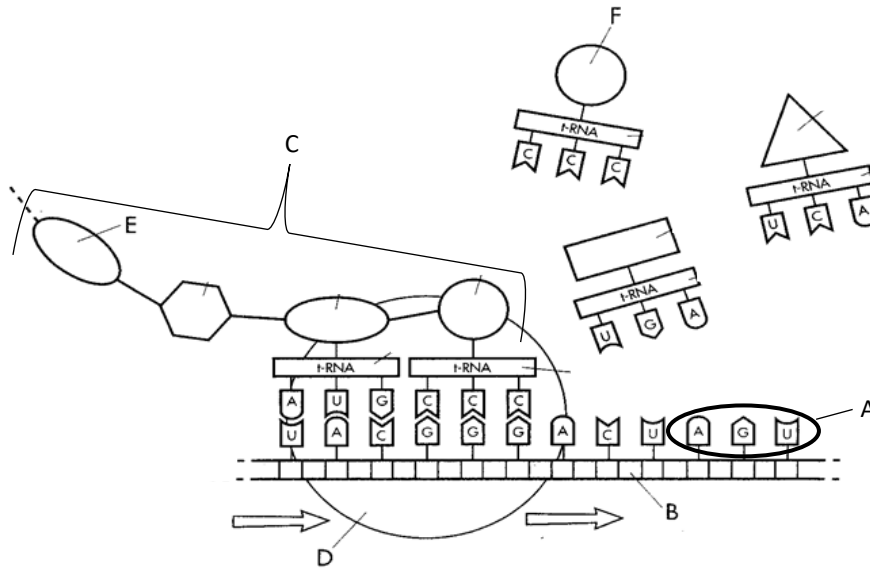
Where in the cell does this occur?

Label the parts:

A _____

B _____

C _____



Name of process:

Where in the cell does this occur?

Label the parts:

A _____

B _____

C _____

D _____

E _____

F _____